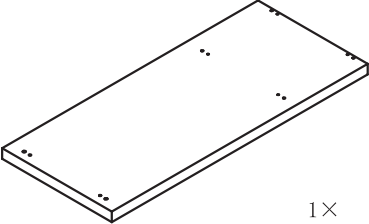
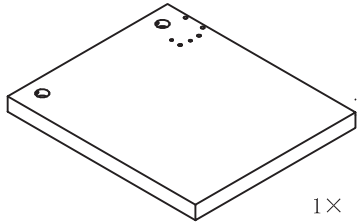
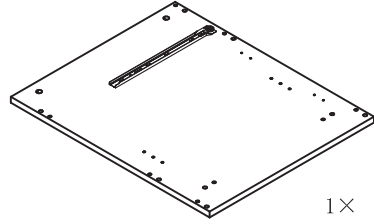
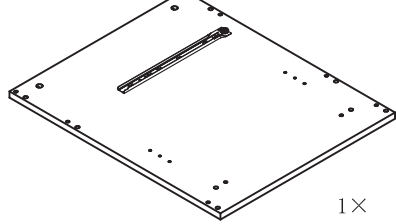
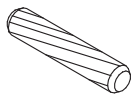

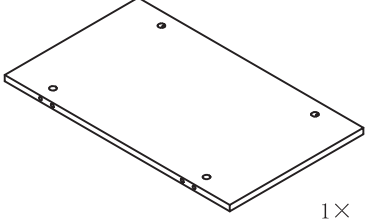
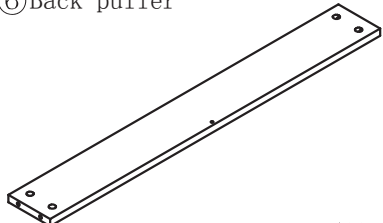
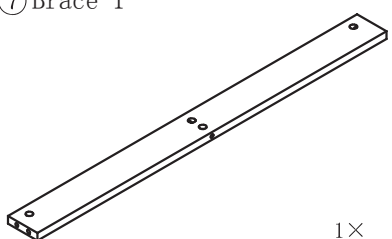
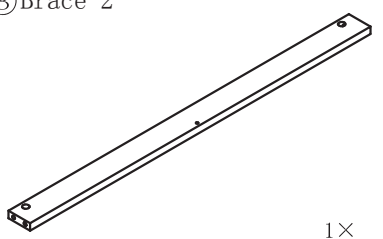
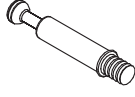

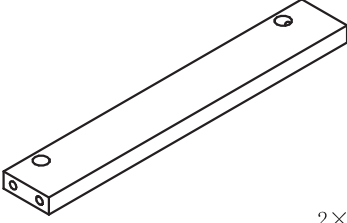
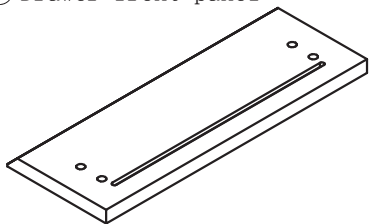
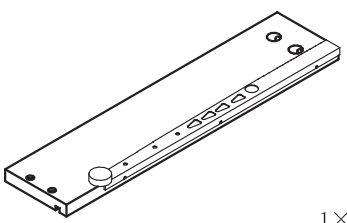
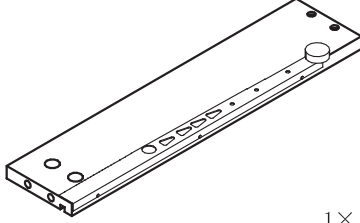
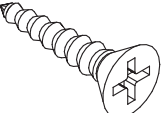
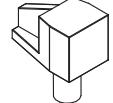
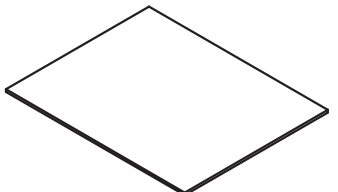
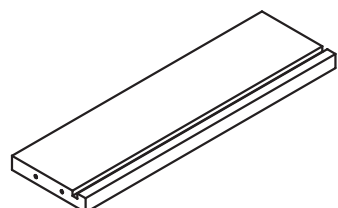
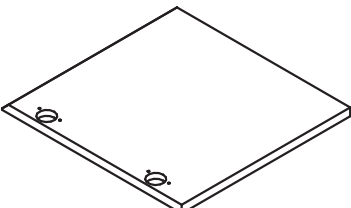
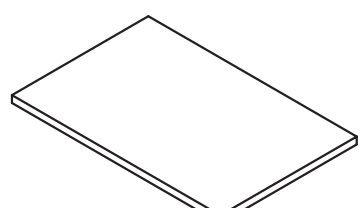

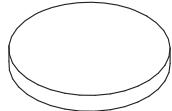
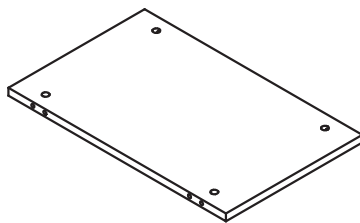
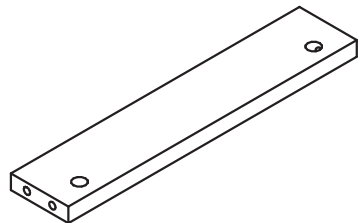
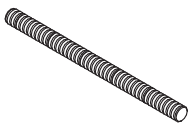
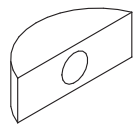
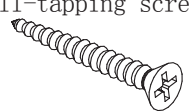
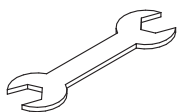
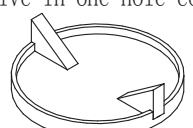
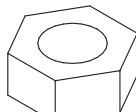
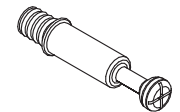
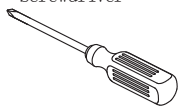
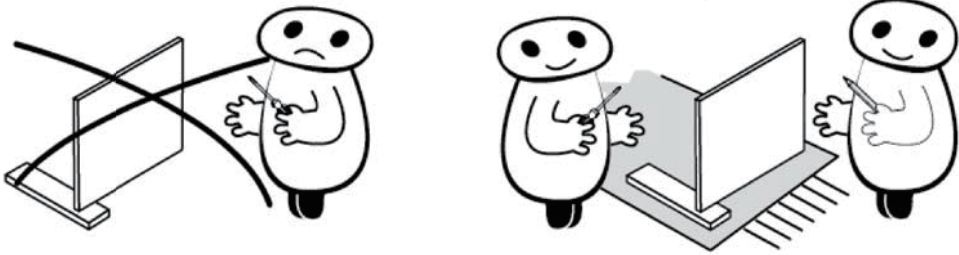


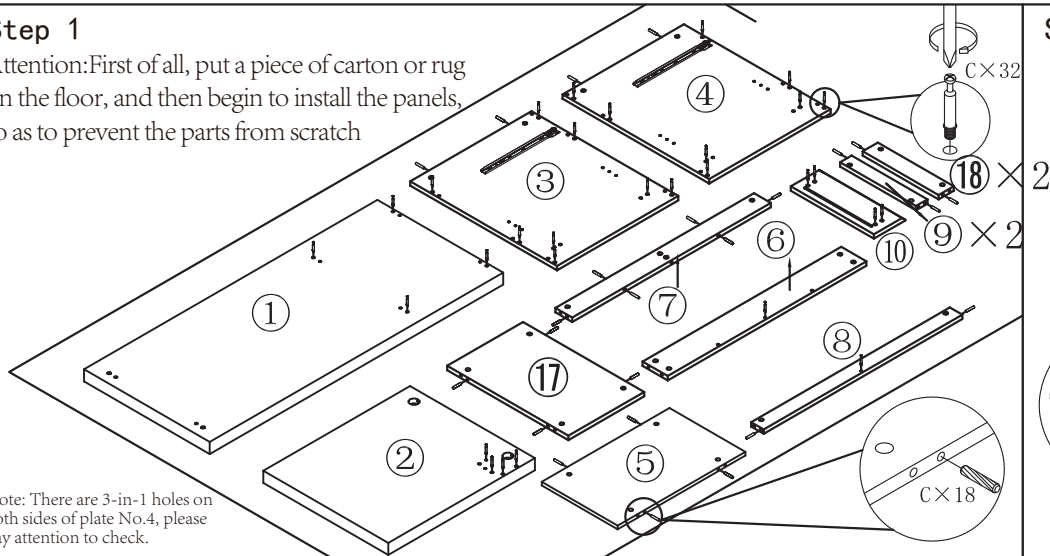
① Desk top panel  1×	② Left footboard  1×	③ Right side panel  1×	④ Divider panel  1×	A. Divider panel (φ 8)  26×	B. Cam lock  34+2×
⑤ Modesty panel  1×	⑥ Back puller  1×	⑦ Brace 1  1×	⑧ Brace 2  1×	C. Cam pin (40)  32×	D. Cam cover  34×
⑨ Front rail  2×	⑩ Drawer front panel  1×	⑪ Drawer left side panel  1×	⑫ Drawer left side panel  1×	G. Wood screw  12×	H. Board support  4×
⑬ Drawer bottom panel  1×	⑭ Drawer back panel  1×	⑮ Door panel  1×	⑯ Movable panel  1×	I. Foot mat (φ 16)  6×	J. Foot mat (φ 25)  2×
⑰ Bottom panel  1×	⑱ Apron board  2×	M. Full crescent screw  2×	N. Half-moon teeth  2×	Q. Long pitch self-tapping screw  4×	K. Wrench  1×
		O. Five-in-one hole cover  2×	P. Nut  2×	R. Cam pin(35)  2×	L. Dual-purpose Screwdriver  1×
					Model GF104-1406 Name Desk Size 1400W*600D*750H

Install by 2 persons



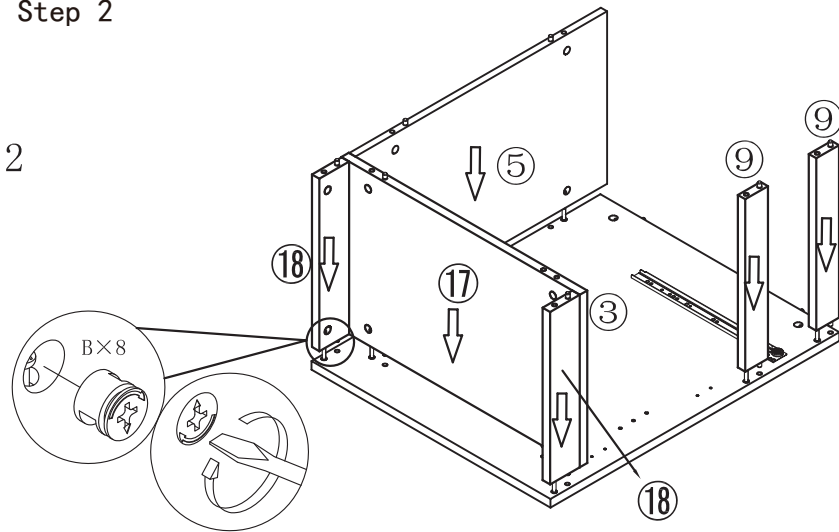
Step 1

Attention: First of all, put a piece of carton or rug on the floor, and then begin to install the panels, so as to prevent the parts from scratch

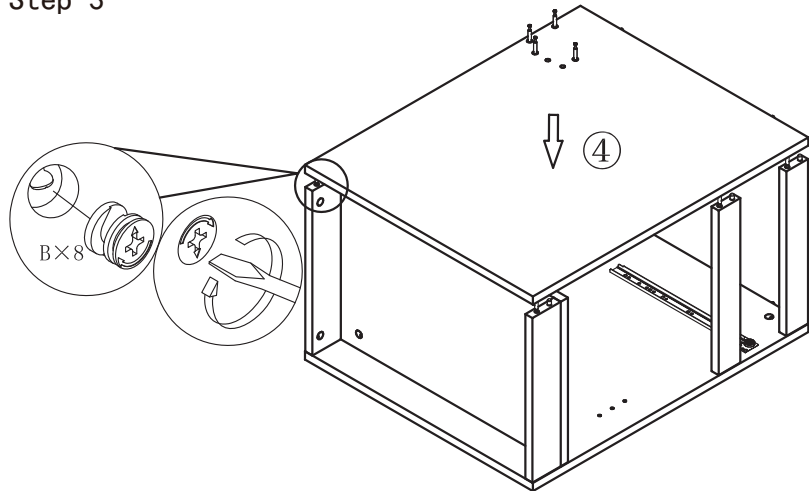


Note: There are 3-in-1 holes on both sides of plate No.4, please pay attention to check.

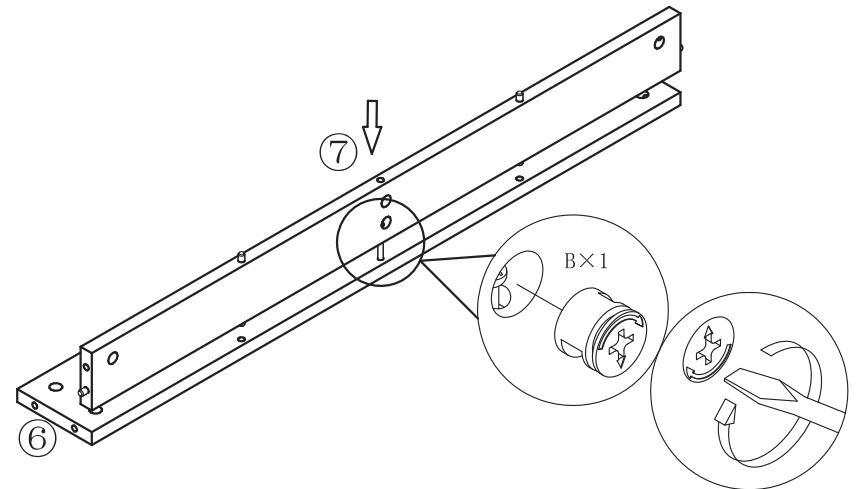
Step 2



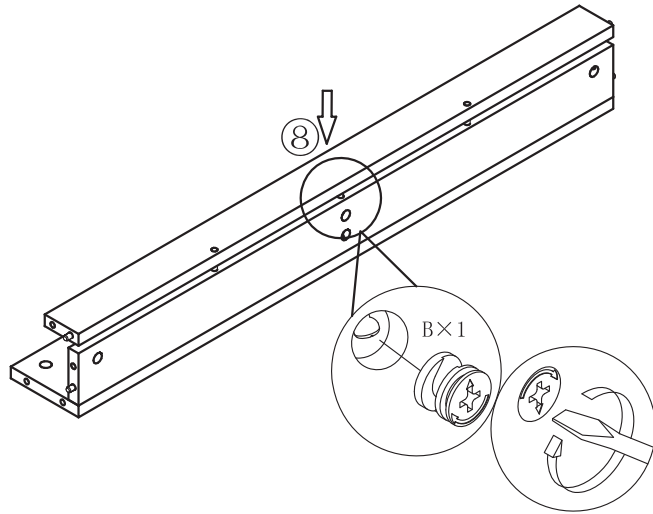
Step 3



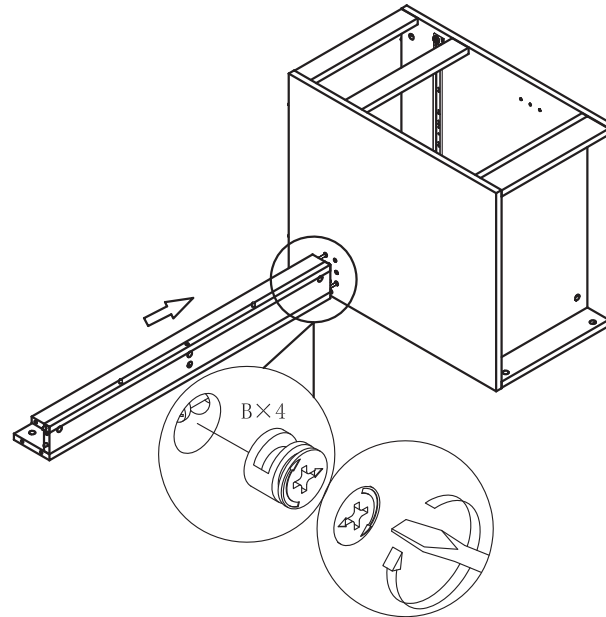
Step 4



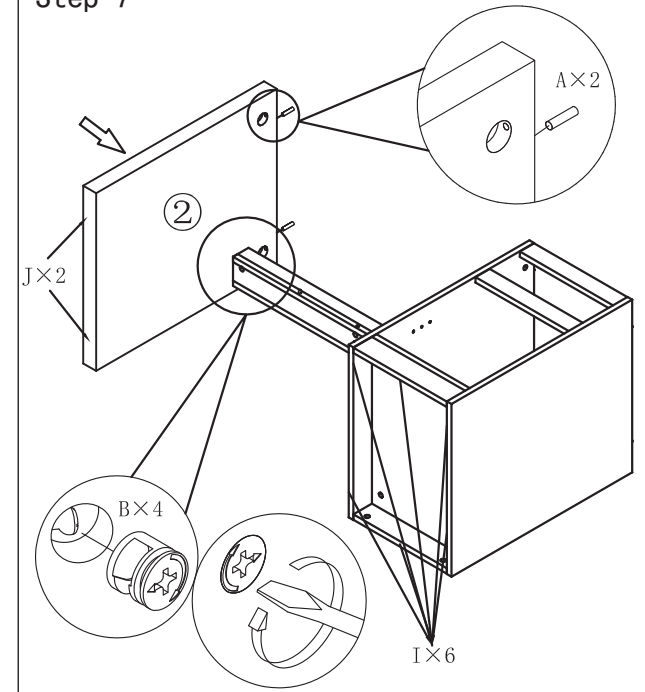
Step 5



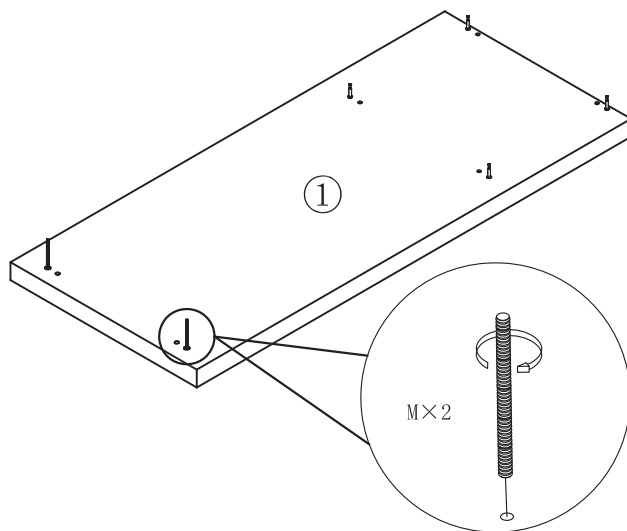
Step 6



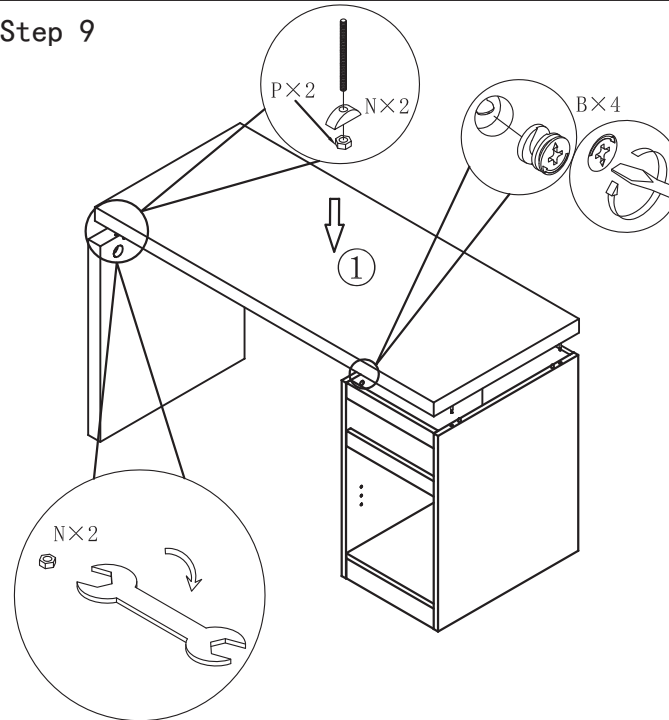
Step 7



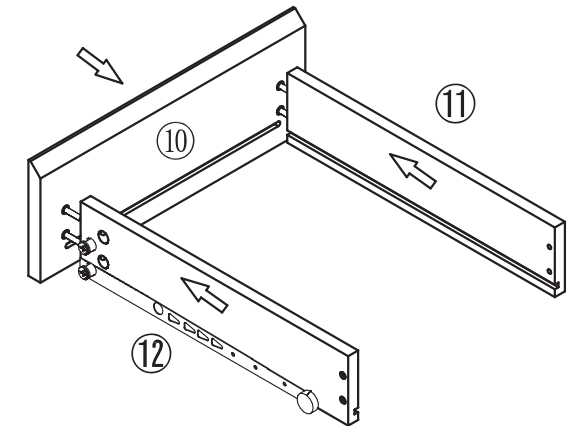
Step 8



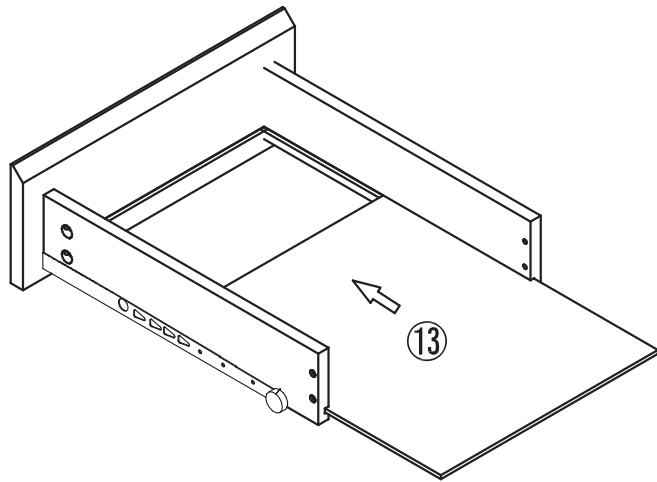
Step 9



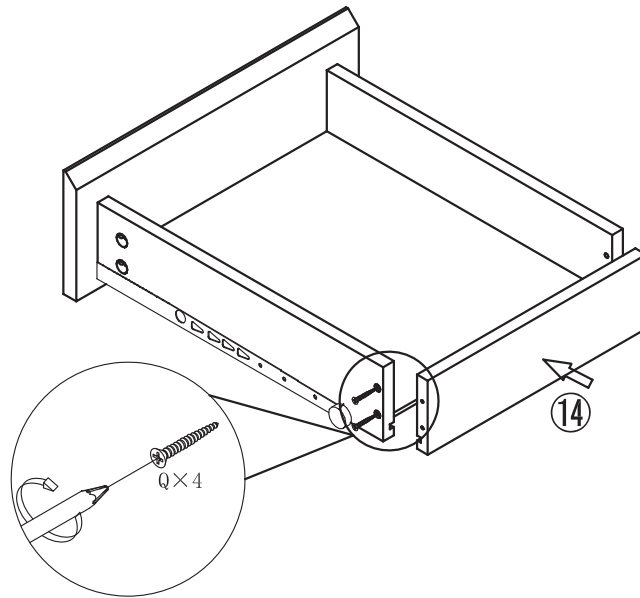
Step 10



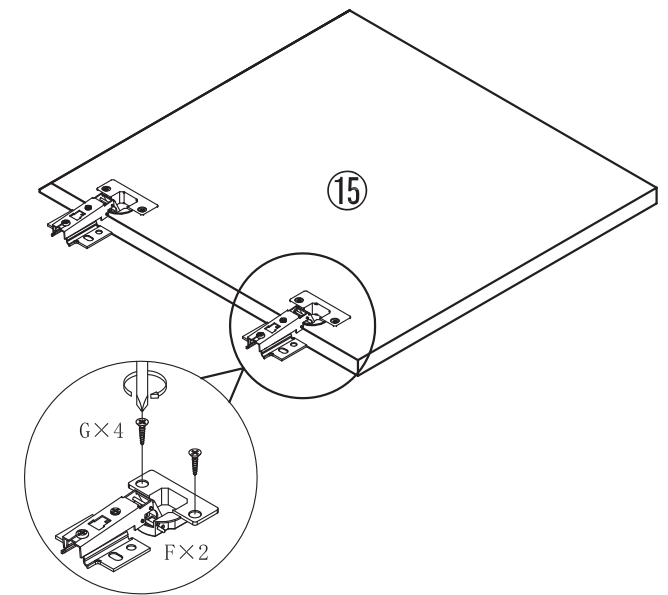
Step 11



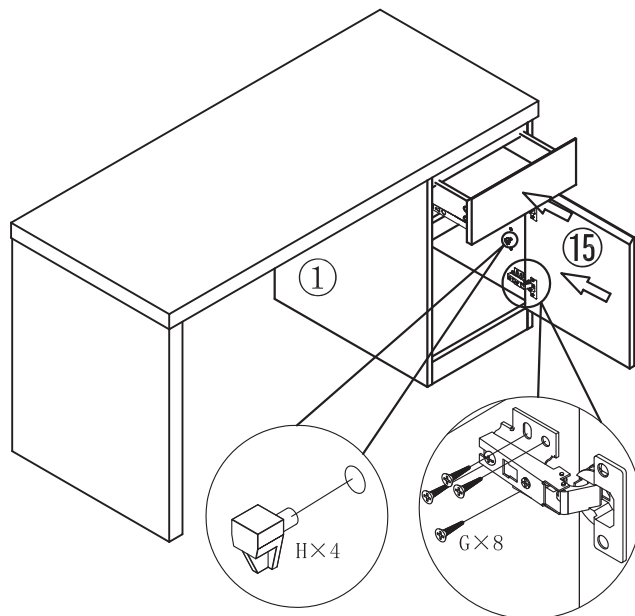
Step 12



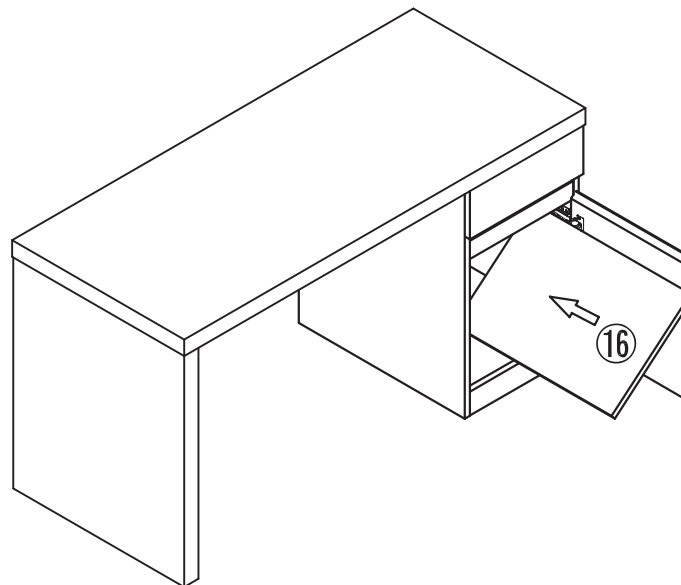
Step 13



Step 14



Step 15



Step 16

